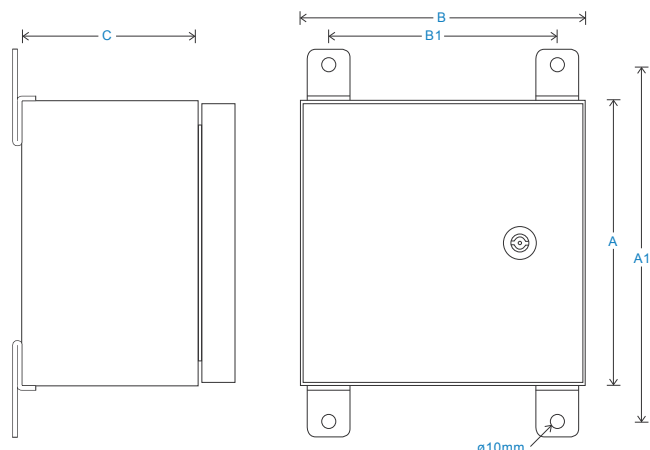


HS-SE-M Switching Enclosure

Mild Steel

Key Features

- BNC and 2 Pin MS output
- Provides a terminal to take readings from accelerometers via a portable data-collector
- Multiple outputs via one connector
- Easy to install



dimensions to be specified in 'how to order' table

Technical Performance

| | | | |
|----------------|--|-----------|--|
| Inputs | Via accelerometer | Door | Twist Handle |
| Output | BNC and 2 Pin MS as standard | Glanding | Glands supplied but not fitted |
| Mounting Board | PCB Panel | | Holes are punched for: |
| | (customisable upon request) | | Single input M12 - \varnothing 3.5-7mm cable |
| Material | Mild Steel painted RAL 7042 as standard (alternatives can be specified in options of 'How To Order' table) | | Single input M20 - \varnothing 7-13mm multi-core cable |
| | | | Multi input M20 - 3 x \varnothing 5.3mm |
| Dimensions | see: diagram | Labelling | Channel locations - other labelling available upon request |
| Termination | Spring-loaded terminal (no screwdriver required) | Mounting | supplied are 4 x Brackets |
| Sealing | IP66 | EMC | EN61326-1:2013 |

How To Order

