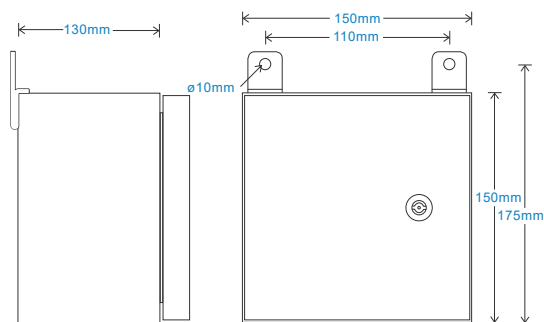


HS-CEC-SSM Connection Enclosure

Stainless Steel

Key Features

- Compact design
- Provides a terminal to take readings from accelerometers via a portable data-collector
- Multiple outputs via multiple connectors



Technical Performance

Inputs	Via accelerometer	Door	Lock and polyamide key
Output	BNC as standard	Glanding	Glands supplied but not fitted
Mounting Board	PCB Panel (customisable upon request)		Holes are punched for: Single input M12 - ø3.5-7mm cable Single input M20 - ø7-13mm multi-core cable Multi input M20 - 3 x ø5.3mm
Material	304 Stainless Steel (to be specified in options of 'How To Order' table)		
Dimensions	see: diagram	Labelling	Channel locations - other labelling available upon request
Termination	Spring-loaded terminal (no screwdriver required)	Mounting	supplied are 2 x Brackets
Sealing	IP66	EMC	EN61326-1:2013

How To Order

