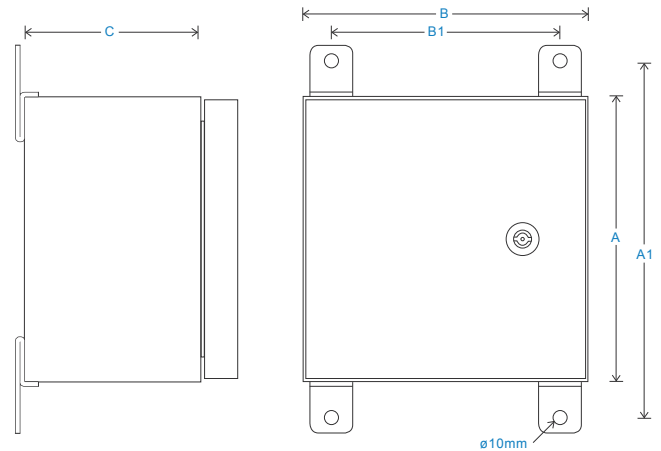


# HS-SE Switching Enclosure

Stainless Steel

## Key Features

- Provides a terminal to take readings from accelerometers via a portable data-collector
- Multiple outputs via one connector



dimensions to be specified in 'how to order' table

## Technical Performance

Inputs	Via accelerometer	Door	Lock and polyamide key
Output	BNC as standard (alternatives can be specified in 'How To Order' table)	Glanding	Glands supplied but not fitted
Mounting Board	Engraved traffolyte panel (customisable upon request)		Holes are punched for: Single input M12 - $\phi$ 3.5-7mm cable Single input M20 - $\phi$ 7-13mm multi-core cable
Material	304 Stainless Steel (to be specified in options of 'How To Order' table)	Labelling	Multi input M20 - 3 x $\phi$ 5.3mm Channel locations - other
Dimensions	see: 'How To Order' table	Mounting	labelling available upon request
Sealing	IP66	EMC	supplied are 4 x Brackets
Termination	Din rail terminals wired to switch		EN61326-1:2013

## How To Order

